



**AGF  
Manufacturing Inc.**

**CORRINSITE™**

**Corrosion Monitors**

**In-Line Pipe and Mechanical Tee**



BR-CORRINSITE 8/17

**Reliability, Versatility, Code Compatibility**

## Corrosion Monitors

AGF's CORRINSITE™ Corrosion Monitors were developed in response to the increase of corrosion-related failures in both wet and dry fire protection systems. CORRINSITE™, available in an in-line pipe or mechanical tee, provides a simple to install, maintenance-free, and inexpensive method to monitor for hidden corrosion problems in any fire protection system.

The CORRINSITE™ is manufactured from the same mild carbon steel as the system's piping and its surface corrodes as the pipe corrodes. When the monitor corrodes beyond it's limit, moisture penetrates the sealed chamber and transforms the brilliant white sight glass to a fluorescent orange color, indicating a corrosion problem and need for further investigation.



Sizes:

<b>2"</b>	<b>2½"</b>	<b>3"</b>	<b>4"</b>	<b>6"</b>	<b>8"</b>
-----------	------------	-----------	-----------	-----------	-----------

Other sizes available upon request

The CORRINSITE™ Model 7700 In-Line Pipe Corrosion Monitor is suitable for new construction and can be retrofitted into existing fire protection systems. It is available in schedule 10 or 40, powder-coated black steel or galvanized pipe.

### Powder-Coated

	Item ID	Item Description
<b>Schedule 10</b>	7720P-10	2" Powder Coated SCH 10 Pipe Assembly
	7725P-10	2.5" Powder Coated SCH10 Pipe Assembly
	7730P-10	3" Powder Coated SCH 10 Pipe Assembly
	7740P-10	4" Powder Coated SCH 10 Pipe Assembly
	7760P-10	6" Powder Coated SCH 10 Pipe Assembly
	7780P-10	8" Powder Coated SCH 10 Pipe Assembly
	<b>Schedule 40</b>	7720P-40
7725P-40		2.5" Powder Coated SCH 40 Pipe Assembly
7730P-40		3" Powder Coated SCH 40 Pipe Assembly
7740P-40		4" Powder Coated SCH 40 Pipe Assembly
7760P-40		6" Powder Coated SCH 40 Pipe Assembly
7780P-40		8" Powder Coated SCH 40 Pipe Assembly
		PLUG

### Features

- Low Cost
- Easy Installation and Maintenance
- Horizontal or Vertical Installation
- Continuous Corrosion Monitoring
- Easy-to-Read Visual Notification
- Direct Installation into the System
- No Power Required
- No Coupons

### Specifications

Service Pressure..... max 20 bar  
 Operating Temp..... -40° to 93° C  
 Material..... Mild Carbon Steel  
 Wear Dimension ..... 1mm



### Galvanized



	Item ID	Item Description
<b>Schedule 10</b>	7720G-10	2" Galvanized SCH 10 Pipe Assembly
	7725G-10	2.5" Galvanized SCH 10 Pipe Assembly
	7730G-10	3" Galvanized SCH 10 Pipe Assembly
	7740G-10	4" Galvanized SCH 10 Pipe Assembly
	7760G-10	6" Galvanized SCH 10 Pipe Assembly
	7780G-10	8" Galvanized SCH 10 Pipe Assembly
	<b>Schedule 40</b>	7720G-40
7725G-40		2.5" Galvanized SCH 40 Pipe Assembly
7730G-40		3" Galvanized SCH 40 Pipe Assembly
7740G-40		4" Galvanized SCH 40 Pipe Assembly
7760G-40		6" Galvanized SCH 40 Pipe Assembly
7780G-40		8" Galvanized SCH 40 Pipe Assembly
		PLUG

\*To replace worn or damaged plug call Borbotech BV at +31(0)546 - 843 059 or email: info@borbotech.eu



# CORRinSITE™

## Model 7800 Mechanical Tee

Sizes:

2"	2½"	3"	4"	6"	8"
----	-----	----	----	----	----

Other sizes available upon request

The CORRinSITE™ Model 7800 Mechanical Tee Corrosion Monitor is suitable for retrofitting into existing fire protection systems and is available with a painted red or galvanized steel mechanical tee.



### Painted

Item ID	Item Description
7820MTP	2" Painted Mechanical Tee
7825MTP	2.5" Painted Mechanical Tee
7830MTP	3" Painted Mechanical Tee
7840MTP	4" Painted Mechanical Tee
7860MTP	6" Painted Mechanical Tee
7880MTP	8" Painted Mechanical Tee
PLUG	CORRinSITE Replacement Plug*

### Galvanized

Item ID	Item Description
7820MTG	2" Galvanized Mechanical Tee
7825MTG	2.5" Galvanized Mechanical Tee
7830MTG	3" Galvanized Mechanical Tee
7840MTG	4" Galvanized Mechanical Tee
7860MTG	6" Galvanized Mechanical Tee
7880MTG	8" Galvanized Mechanical Tee
PLUG	CORRinSITE Replacement Plug*

\*To replace worn or damaged plug call Borbotech BV at +31(0)546 - 843 059 or email: info@borbotech.eu

## Installation Locations



Floor Control

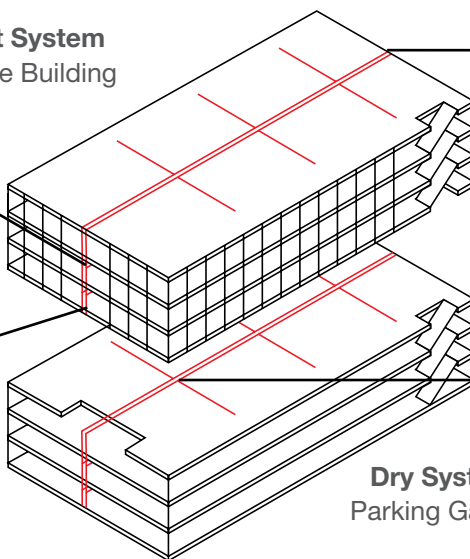
Wet System  
Office Building



End of Line



Water Main

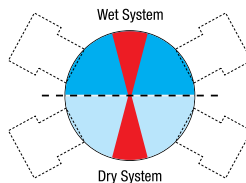


Dry System  
Parking Garage



Branch Line

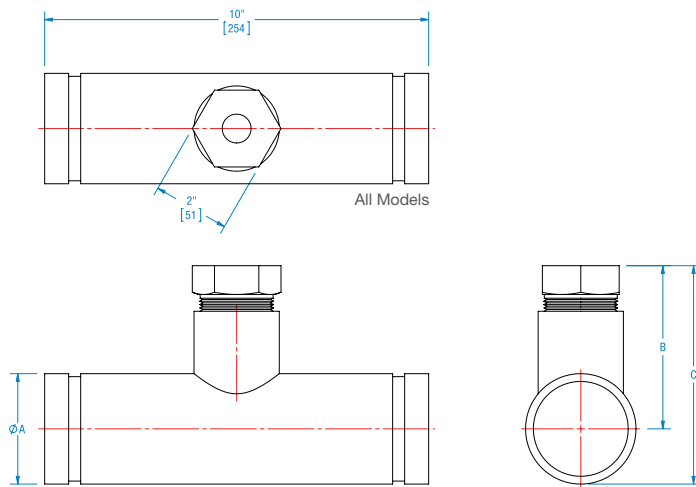
The CORRinSITE™ Model 7700 and 7800 can be installed virtually anywhere on a wet or dry fire system. AGF recommends the above locations for monitoring the most important areas of the



system. When installing horizontally on a wet system, the monitor's sight glass should be facing up (dark blue area) and on a dry system, the sight glass should face down (light blue area).

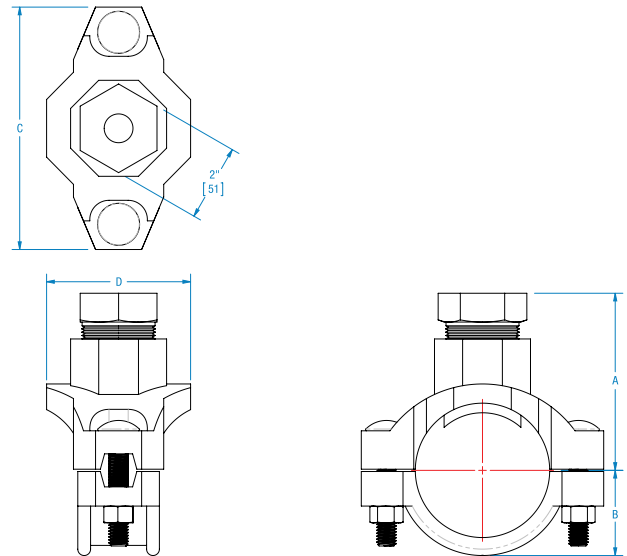
# Dimensions

## Model 7700 In-Line Pipe



Item ID	Pipe Size	A	B	C
7720	2"	2 3/8" [60mm]	4" [102mm]	5 3/16" [132mm]
7725	2 1/2"	2 7/8" [73mm]	4 1/4" [108mm]	5 11/16" [144mm]
7730	3"	3 1/2" [89mm]	4 9/16" [116mm]	6 5/16" [160mm]
7740	4"	4 1/2" [114mm]	5 1/16" [129mm]	7 5/16" [186mm]
7760	6"	6 5/8" [168mm]	6 1/8" [156mm]	9 7/16" [240mm]
7780	8"	8 5/8" [219mm]	7 1/8" [181mm]	11 7/16" [290mm]

## Model 7800 Mechanical Tee



Item ID	Pipe Size	A	B	C	D
7820	2"	3 15/16" [100mm]	1 11/16" [43mm]	5 5/16" [135mm]	3 1/4" [82mm]
7825	2 1/2"	4 3/16" [106mm]	1 7/8" [47mm]	5 7/8" [150mm]	3 5/8" [91mm]
7830	3"	4 5/8" [117mm]	2 1/4" [56mm]	6 3/16" [160mm]	3 3/4" [95mm]
7840	4"	5 5/16" [134mm]	2 5/8" [67mm]	7 3/8" [187mm]	3 13/16" [96mm]
7860	6"	6 7/16" [163mm]	3 3/4" [95mm]	9 3/4" [247mm]	3 13/16" [96mm]
7880	8"	8 3/16" [208mm]	4 7/8" [124mm]	12 5/8" [320mm]	4 1/8" [105mm]



**Borbotech BV**  
 Meulenbeldlaan 87 • 7602XL Almelo  
 Netherlands

Telefoon: +31(0)546-843059  
 Email: info@borbotech.eu

[www.borbotech.eu](http://www.borbotech.eu)